

Pressure Gauges / Special Purpose Gauges / Hi-Accuracy Pressure Gauges / Ø 160 mm.

CONSTRUCTIVE PROPERTIES

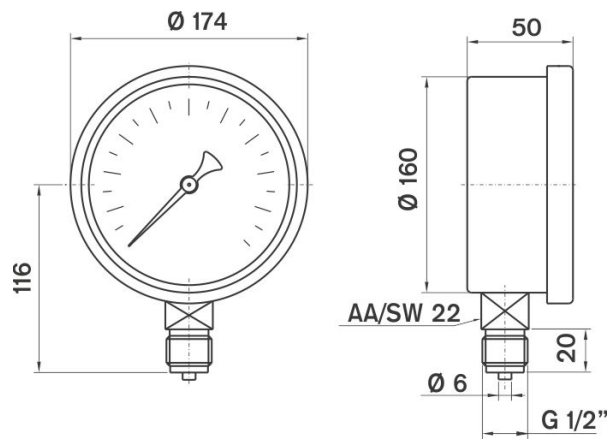
	STANDARD	OPTIONAL
Mounting Type	Bottom Connection	See Technical Drawing
Scale Unit	bar	psi kg/cm ²
Scale Range (PN)	0/0,6 0/1 0/1,6 0/2,5 0/4 0/6 0/10 0/16 0/25 0/40 0/60 0/100 0/160 0/250 0 - 315 0/400 0/600	
Vacuum Scale Range	-1 / +1,5 -1 / +3 -1 / +5 -1 / +9 -1 / +15 -1 / +24 -1 / +0,6 -1 / 0	
Case	Steel	Stainless Steel AISI-304
Bezel	Steel	Stainless Steel AISI-304
Window	Glass	Safety Glass
Movement	Brass	Stainless Steel AISI-304
Wetted Parts	Copper Alloy	Stainless Steel AISI-316L
Connection	G 1/2" B	1/2" NPT
Dial	Aluminum P-VISION	-
Pointer	Aluminum	-
Welding	Soldering	-



MH160DRM1-Bxx06G2L2
Bottom Connection

USAGE PROPERTIES

Fluid Temperature	Maximum + 60 °C	Maximum + 150 °C
Ambient Temperature	- 40...+ 60°C	-
Operating Pressure (max.)	Must not exceed full scale.	
Over Pressure Limit	F.S. x 1,3	-
Accuracy Class	CL 0,6	CL 0,25
Protection Rate	IP 41	-
Optimum Operating Range	Between 0,0 x PN and 1,0 x PN	
Storage Temperature	-40 ... +70 °C	-
Conformity	EN 837 - 1	-
Mechanical Shock Test Load	15g	-
Mechanical Vibration Test	10 Hz ile 150 Hz -1 oktav/dk. 2s / 3 eksende	



Model No: MH160DRM1-Bxx06G2L2

Bottom Connection

www.Laheghi.com